



Flowers / Grass Lighting

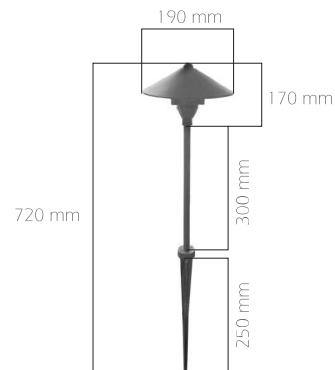
MSH



Special indirect lawn and garden lighting system designed with high efficiency LED technology within range of 3 to 9 W for outdoor applications. The system is preferred in architectural applications generally thanks to the indirect light beam coming from the module. Bright white paint with reflective properties has been used in the interior body paint with an eye to benefit maximum from the light coming from the LED modules.

MSH model Grass Fixtures can be employed for lighting lawn and garden plants and highlighting details in architectural garden lighting. Color options are available with a view to provide different light effects. Length of the fixture can be arranged according to the desired height.

Durability in all kinds of outdoor conditions thanks to corrosion-resistant injection molded aluminum outer body thereof. Has a long life by virtue of the injection molded aluminum with IP65 protection degree and does not require maintenance thanks to the LED module thereof. It can provide different applications with its free standing model and with the model which can be driven into the ground.



Code	MSH
LED	High Efficiency Power LED
System Power	4,5 W
Light Flux	75 lm
Colour Temperature	3000 - 4000 - 5000 K / R-G-B
Voltage	220V - 50Hz
Body	Aluminum injection LED moduls
Lens	Lenses with opal diffuser effect
Glass	3 mm thick and tempered glass
Colour	Grey