

FLOODLIGHTS/JET 2000

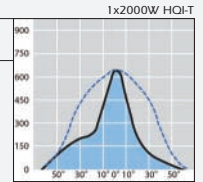


**JET 2000/P**

**Description**

**Symmetrical Wide Angle Floodlight:**  
Made of highly pure, peened aluminum sheet, polished and anodised. Front tempered glass resistant to high temperatures and to thermal shock. Anti-aging gaskets in silicon rubber.

Code	Lamp	Color
JET 2000/P	1x2000W HQI-T	Black



**Box Dimensions**

Inside box 1 PCS.  
JET 2000/P 540x610x340 mm

**Weight**

JET 2000/P 13.500 gr

Protection: **IP65**

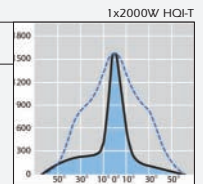


**JET 2000/S**

**Description**

**Symmetrical Narrow Angle Floodlight:**  
Made of highly pure, aluminum sheet, polished and anodised. Front tempered glass resistant to high temperatures and to thermal shock. Anti-aging gaskets in silicon rubber.

Code	Lamp	Color
JET 2000/S	1x2000W HQI-T	Black



**Box Dimensions**

Inside box 1 PCS.  
JET 2000/S 540x610x340 mm

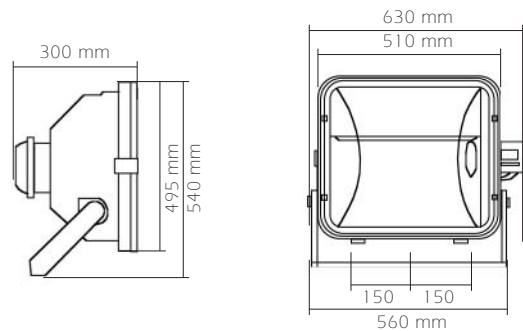
**Weight**

JET 2000/S 13.500 gr

Protection: **IP65**

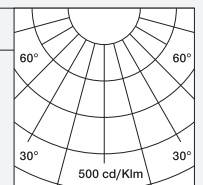


**Dimensions**



**KIT M2000**

Code	Color
KIT M2 000	Black



**Box Dimensions**

Inside box 1 PCS.  
KIT M2000 285x420x225 mm

**Weight**

KIT M2000 21.000 gr

Protection: **IP65**