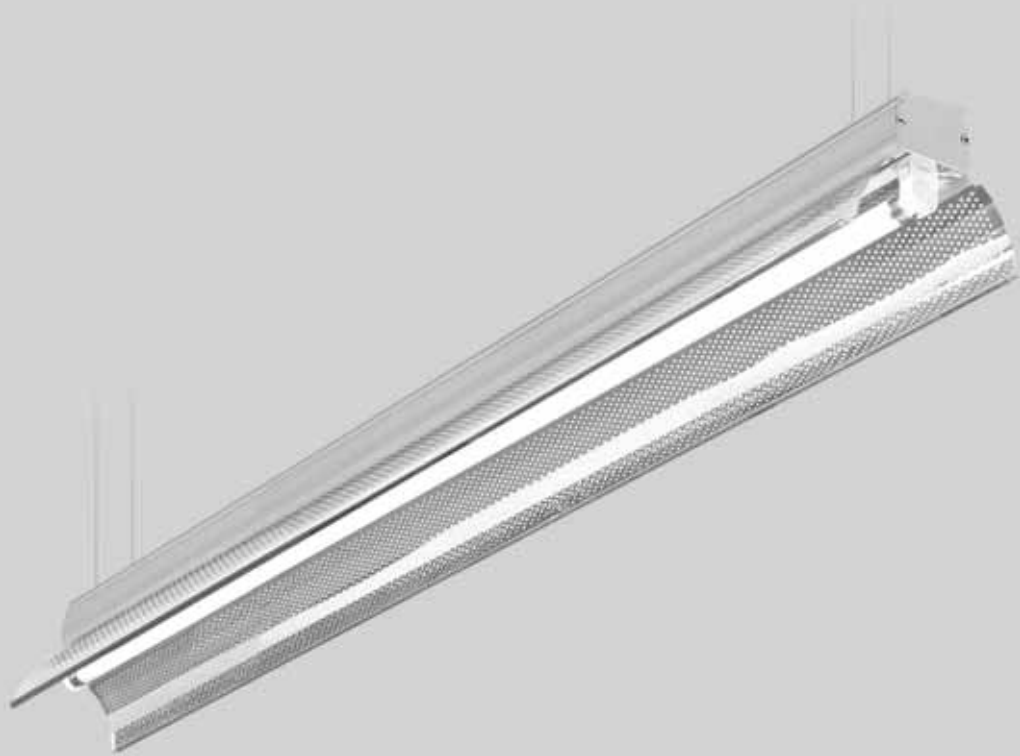


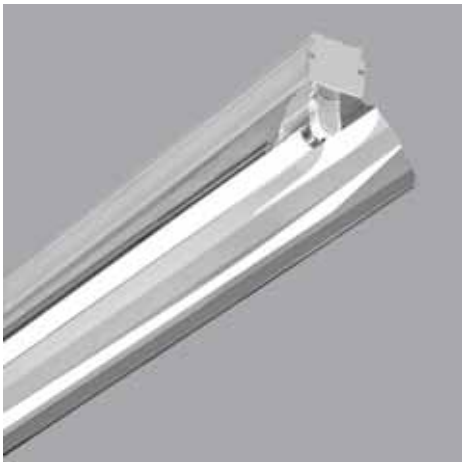
Ascella



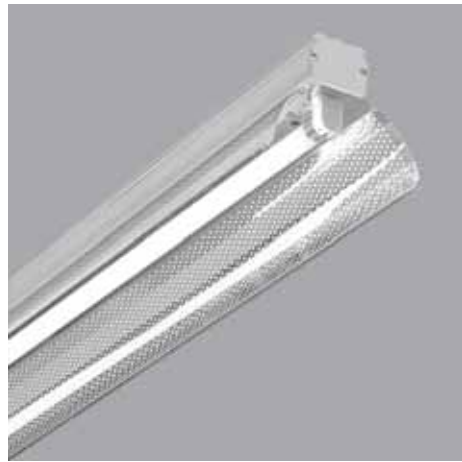
Decorative

Fixtures

In the Ascella pendant fixture model modern illumination elements are combined to perfection. The broadness of the lamps in this range that are practically mounted without any tools offer good choices for pendant system applications. The special reflector eliminates the risk of glare. Its flexibility, decorative appearance and contemporary design make this this series suitable for applications that require modern illumination like retails, offices and meeting rooms.



Straight Reflector: A reflector type that directs light to the right zones with its superior reflection capability.



Perforated Reflector: This reflector has a perforated design that prevents remaining dark spots and provides a soft light on the ceiling.

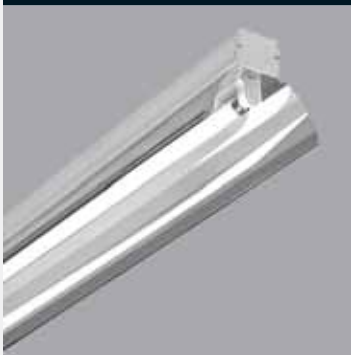


Embossed Reflector: This special reflector distributes light softly to the surface.

DECORATIVE FIXTURES / ASCELLA



MDM AL/D



Description

Body: The fixture body and cover are manufactured with 1.1 mm thick aluminum profile
Reflector: Manufactured of 0.5 mm thick (99.9%) pure bright straight aluminum.

Code	Lamp	Color
MDM AL 114/D	1x14W FH	Gray
MDM AL 121/D	1x21W FH	Gray
MDM AL 154/D	1x54W FQ	Gray
MDM AL 135/D	1x35W FQ	Gray

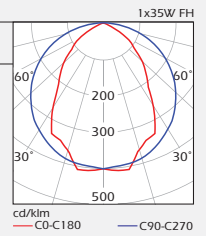
Box Dimensions

Inside box 1 PCS.
 MDM AL 114/D 160x110x620mm
 MDM AL 121/D 160x110x920mm
 MDM AL 154/D 160x110x1220mm
 MDM AL 135/D 160x110x1520mm

Weight

Inside box 1 PCS.
 MDM AL 114/D 1.160gr
 MDM AL 121/D 1.460gr
 MDM AL 154/D 1.735gr
 MDM AL 135/D 2.100gr

Protection: IP20



MDM AL/P



Description

Body: The fixture body and cover are manufactured with 1.1 mm thick aluminum profile
Reflector: Manufactured of 0.5 mm thick (99.9%) pure bright perforated aluminum.

Code	Lamp	Color
MDM AL 114/P	1x14W FH	Gray
MDM AL 121/P	1x21W FH	Gray
MDM AL 154/P	1x54W FQ	Gray
MDM AL 135/P	1x35W FQ	Gray

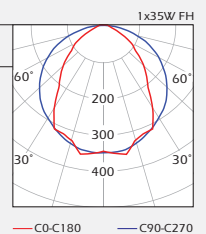
Box Dimensions

Inside box 1 PCS.
 MDM AL 114/P 160x110x620mm
 MDM AL 121/P 160x110x920mm
 MDM AL 154/P 160x110x1220mm
 MDM AL 135/P 160x110x1520mm

Weight

Inside box 1 PCS.
 MDM AL 114/P 1.160gr
 MDM AL 121/P 1.460gr
 MDM AL 154/P 1.735gr
 MDM AL 135/P 2.100gr

Protection: IP20





MDM AL/G



Description

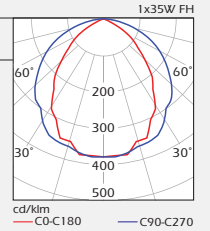
Body: The fixture body and cover are manufactured with 1.1 mm thick aluminum profile
Reflector: Manufactured of 0.5 mm thick (99.9%) pure modified and polished aluminum.

Code

Lamp

Color

MDM AL 114/G	1x14W FH	Gray
MDM AL 121/G	1x21W FH	Gray
MDM AL 154/G	1x54W FQ	Gray
MDM AL 135/G	1x35W FQ	Gray



Box Dimensions

Inside box 1 PCS.
 MDM AL 114/G 160x110x620mm
 MDM AL 121/G 160x110x920mm
 MDM AL 154/G 160x110x1220mm
 MDM AL 135/G 160x110x1520mm

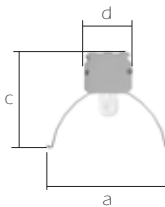
Weight

Inside box 1 PCS.
 MDM AL 114/G 1.160gr
 MDM AL 121/G 1.460gr
 MDM AL 154/G 1.735gr
 MDM AL 135/G 2.100gr

Protection: IP20



Dimensions



Code	a	b	c	d
MDM AL114	142 mm	593 mm	97 mm	48 mm
MDM AL121	142 mm	893 mm	97 mm	48 mm
MDM AL154	142 mm	1193 mm	97 mm	48 mm
MDM AL135	142 mm	1493 mm	97 mm	48 mm